



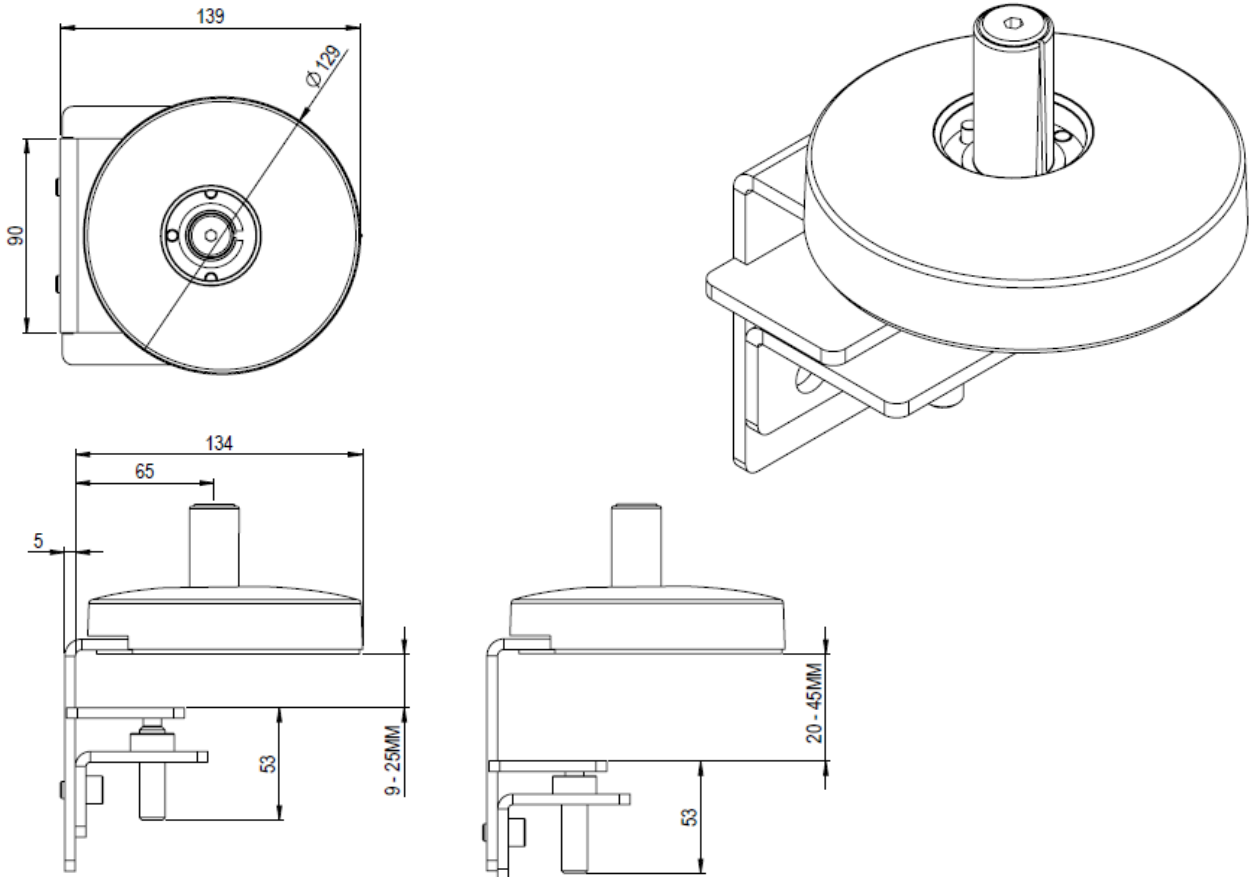
TECHNICAL SPECIFICATION SHEET

PRODUCT NAME: Flo X Split Clamp

PRODUCT CODE: FLX/018/AS01

Doc Rev 2

04.11.22 KO



All dimensions are in mm.

KEY FEATURES

- Desk clamp to support Flo X monitor arms
- Soft grip under-clamp pad ensures secure grip without damaging worksurface
- Configurable rotation stop system (offers 180° or 360° configurations)
- Suitable for worksurface thicknesses of 9mm to 45mm.
- Removeable lower clamp structure permits installation in restricted back-of-worksurface conditions, e.g. when there is a rear mounted furniture panel.

Load support range: Up to 18kg

Worksurface thickness range: 9mm to 45mm

Rotation stop options: 180° arm rotation or 360° arm rotation

Recycled content: 12%

Total product recyclable: 99%

LOGISTICAL

Box contains	Clamp, Allen key, instructions
Product net weight:	1.87kg
Box dims	115mm x 160mm x 195mm
Box gross weight	2.2kg
Master carton quantity	12
Master carton dims	250mm x 400mm x 490mm
Master carton weight	27kg
Country of origin	Italy

Note*: Some logistical data is estimated and may be subject to future confirmation.

ORDERING INFORMATION

Product Description	Product Code	Colour
Flo X Split Clamp	FLX/018/AS01/S	Silver
Flo X Split Clamp	FLX/018/AS01/B	Black
Flo X Split Clamp	FLX/018/AS01/W	White

WARRANTY

Warranty Term	12 years
----------------------	----------

COMPLIANCE & SAFETY CERTIFICATION

Whilst no mandatory standards apply to the monitor arm product sector, all Colebrook Bosson Saunders monitor arms have been designed with appropriate articulation features, dimensional range and adjustability to conform to the requirements of BS EN ISO 9241:5 1999 Ergonomic requirements for office work with visual display terminals (VDTs).

ENVIRONMENTAL

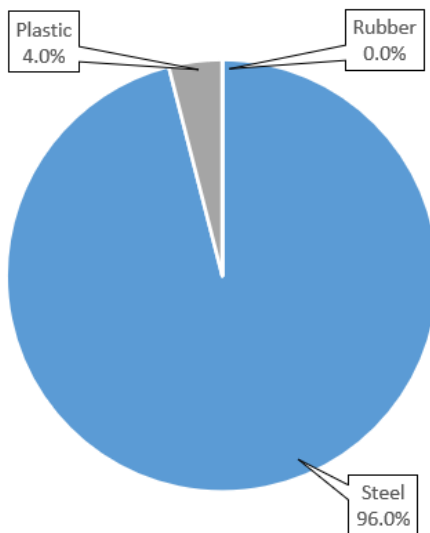
Material Make-up			Total Recycled Content	Breakdown of Recycled Content		Total Recyclable	
Overall Product			Overall Product	Overall Product		Overall Product	
Material type	Total Material type weight (g)	Percentage of Total Product Weight (%)	Material-Type Recycled Content (%)	Percentage PIR of total weight (%)	Percentage PCR of total weight (%)	Total Product Recyclable (g)	Total Product Recyclable (%)
Steel	1800.0	96.0%	12.5%	2.1%	10.4%	1800.0	96.0%
Plastic	75.0	4.0%	0.0%	0.0%	0.0%	55.0	2.9%
Rubber	0.0	0.0%	0.0%	0.0%	0.0%	0.0	0.0%
Total	1875.0	100.0%	12.5%	2.1%	10.4%	1855.0	98.9%

Due to calculation rounding there may be some small variations in displayed percentage totals.

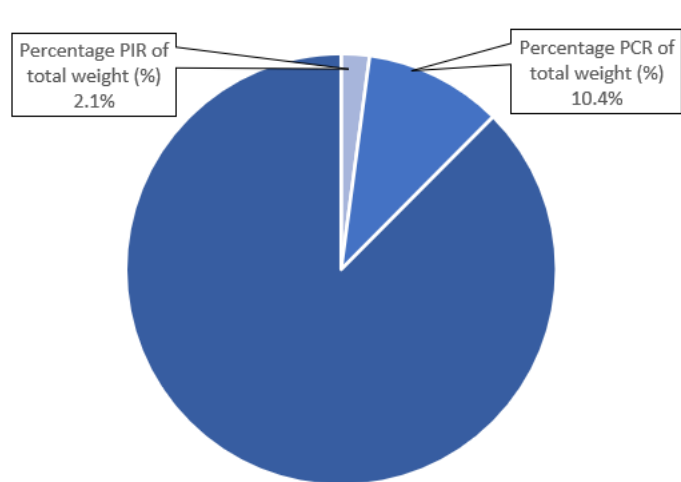
PIR = Post Industrial Recycled

PCR = Post Consumer Recycled

Total Product Weight (%)



Total Product Recycled Content (%)



CLEANING, STORAGE & MAINTENANCE

Routine servicing

Periodic inspection

Service components

Available to order

Cleaning & Maintenance

Damp cloth, no abrasives, no solvents to be used on the cosmetic surfaces

Handling & Storage

Do not drop or expose to moisture

While every effort is made to ensure the accuracy of our technical information, Colebrook Bosson Saunders (Products) Ltd accept no liability for the accuracy of the information contained in this document and reserve the right to modify the specifications or data contained herein without prior notification.