



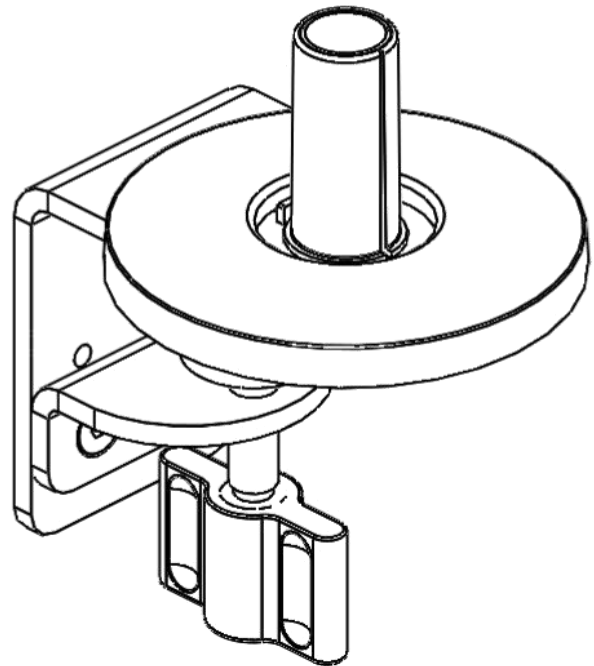
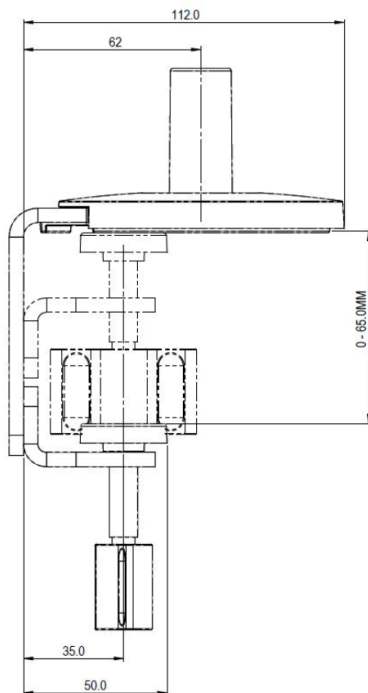
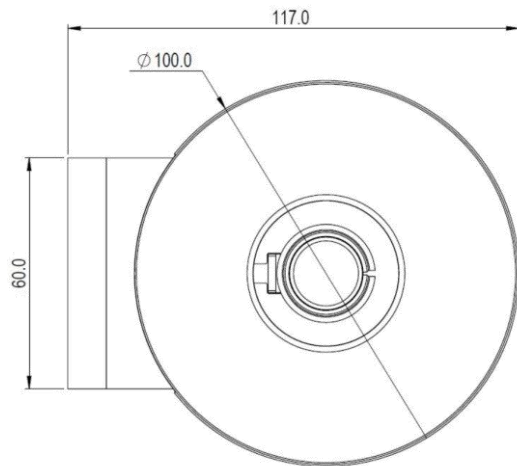
TECHNICAL SPECIFICATION SHEET

PRODUCT NAME: Flo Tool Less Split Clamp

PRODUCT CODE: DYN/013/AS22

Doc Rev 2.

08.03.2023 CS



*Note dimensions provided are measured in mm

KEY FEATURES

- Tool less installation
- Suitable for desk thickness from 0-65mm
- Configurable 180° stop system
- Soft Pads protects work surface from damage
- Clamp pad ensures secure grip without damaging underside of work surface

Product Classification Brackets, Clamps and Fixings

Max load 9kg (19.8lb)

Recycled content 13%

Total product recyclable 93%

LOGISTICAL

Bag contains	Split clamp, instructions & accessories bag (containing clamp screw, clamp pad, Allen key).
Bag dims (HxWxD)	155 x 100 x 210 mm (packed in 80g brown kraft paper bag)
Bag gross weight	0.87kg
Carton quantity	18
Master dims (HxWxD)	505 x 290 x 220 mm
Master weight	16.7 kg
Pallet quantity:	432pcs (i.e. 24 x cartons)
Pallet dims (WxDxH):	1040mm x 925mm x 1050mm
Pallet gross weight:	432kg
Country of origin	China
Country of configuration	UK

ORDERING INFORMATION

<u>Product Description</u>	<u>Product code</u>	<u>Colour</u>
Flo Tool Less Split Clamp	DYN/013/AS22	:/S Silver, :/W White or :/B Black

WARRANTY

Warranty Term	12 years
---------------	----------

COMPLIANCE & SAFETY CERTIFICATION

Whilst no mandatory standards apply to the monitor arm product sector, all Colebrook Bosson Saunders monitor arms have been designed with appropriate articulation features, dimensional range and adjustability to conform to the requirements of BS EN ISO 9241:5 1999 Ergonomic requirements for office work with visual display terminals (VDTs).

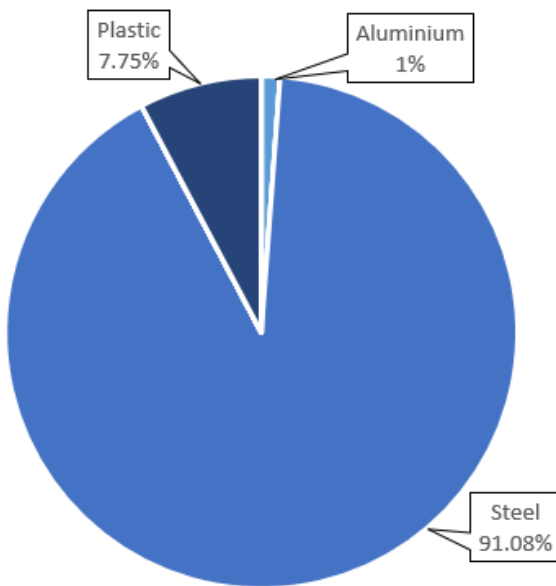
Conformance certification	N/A
Test authority	CBS
Safety certification	N/A

ENVIRONMENTAL

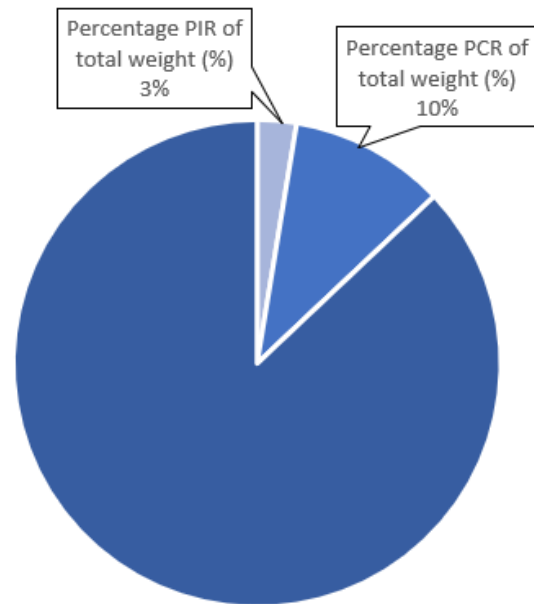
Material Make-up			Total Recycled Content	Breakdown of Recycled Content		Total Recyclable	
Overall Product			Overall Product			Overall Product	
Material type	Total Material type weight (g)	Percentage of Total Product Weight (%)	Material-Type Recycled Content (%)	Percentage PIR of total weight (%)	Percentage PCR of total weight (%)	Total Product Recyclable (g)	Total Product Recyclable (%)
Aluminium	10	1%	1.1%	0.6%	0.5%	10.00	1%
Steel	776	91%	12%	2%	10%	729	86%
Plastic	66	8%	0%	0%	0%	54	6%
Total	852	100%	13%	3%	10%	793	93%

PIR = Post Industrial Recycled
PCR = Post Consumer Recycled

Total Product Weight (%)



Total Product Recycled Content (%)



CLEANING, STORAGE & MAINTENANCE

Routine servicing

Periodic inspection

Service components

Available to order

Cleaning & Maintenance

Damp cloth, no abrasives, no solvents to be used on the cosmetic surfaces

Handling & Storage

Do not drop or expose to moisture

While every effort is made to ensure the accuracy of our technical information, Colebrook Bosson Saunders (Products) Ltd accept no liability for the accuracy of the information contained in this document and reserve the right to modify the specifications or data contained herein without prior notification.