



Model TL Non-powered Medical Cart

Height Adjustable Mobile Workstation

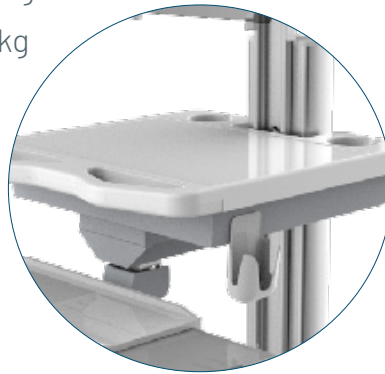
The Model TL is the Model T simplified. Providing suitable movement and ergonomic range with height adjustability and screen sharing. The Model TL offers flexibility for users to stand or sit, as well as tray and monitor tilt for individual preference. Front handles on the tray and four dual breaking castors ensure easy maneuverability.

Features

- Variable Height Roll Cart
- Flush Monitor Mount with tilt and rotation adjustability
- Keyboard tray with right or left slide out mouse tray & mouse holder for transit
- Large work surface with integrated handles
- 3-year Manufacturer's Warranty

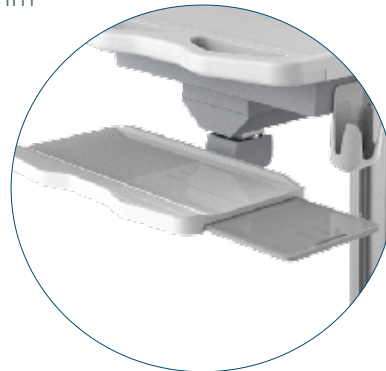
Table Specifications

Table outside size:	511 x 538 mm
Usable size:	473 x 323 mm
Cup holder diametre:	78 mm
Depth of cup holder:	75 mm
Screen bracket Max load:	20 kg
Table Max load:	10 kg



Keyboard Tray Specifications

Outside size:	449 x 240 mm
Mouse holder outside size:	162 x 183 mm



Cart Specifications

Base Height:	207 mm
Top to ground Max height :	1600 mm
Top to ground Min height:	1200 mm
Channel length:	1015 mm
Screen bracket Max load:	20 kg
Keyboard holder Max load:	2.5 kg
Screen Tilt Angle:	0~15°
Screen Horizontal Rotate:	+ - 90°
Height adjust method:	200N Gas spring inside
Height adjust range:	400 mm
Caster:	4 x with brakes
Trolley Net Weight:	32 kg

