
VISIANO 10-1
THE EXAMINATION LIGHT



VISIANO 10-1

OVERVIEW OF THE MAIN FEATURES.



Timeless, slimline design
with ergonomic handle



Optimized cable connection extends
the swivel range



Diamond cluster optics for bright
homogeneous light



The VISIANO 10-1 is an LED examination light which has been reduced to the essentials but that doesn't mean sacrificing professional light quality. For everyday use, the VISIANO 10-1 will win you over with its excellent illumination intensity and large light field. The sturdy flexible arm ensures positional accuracy and good durability. The sealed construction protects against contamination.

- Professional light quality: thanks to unique diamond optics and premium LEDs, homogeneous light field and high illumination intensity, low-shadow, first-class color rendering (CRI >93)
- Durable, safe and economical: low energy consumption, integrated converter, maintenance free casing, high quality aluminum linkage and durable friction-joints
- Reach suitable for everyday purposes: 280° rotation of the luminaire head, long arm reach
- Certified safety: Medical device according to IEC 60601-1, unique in this class

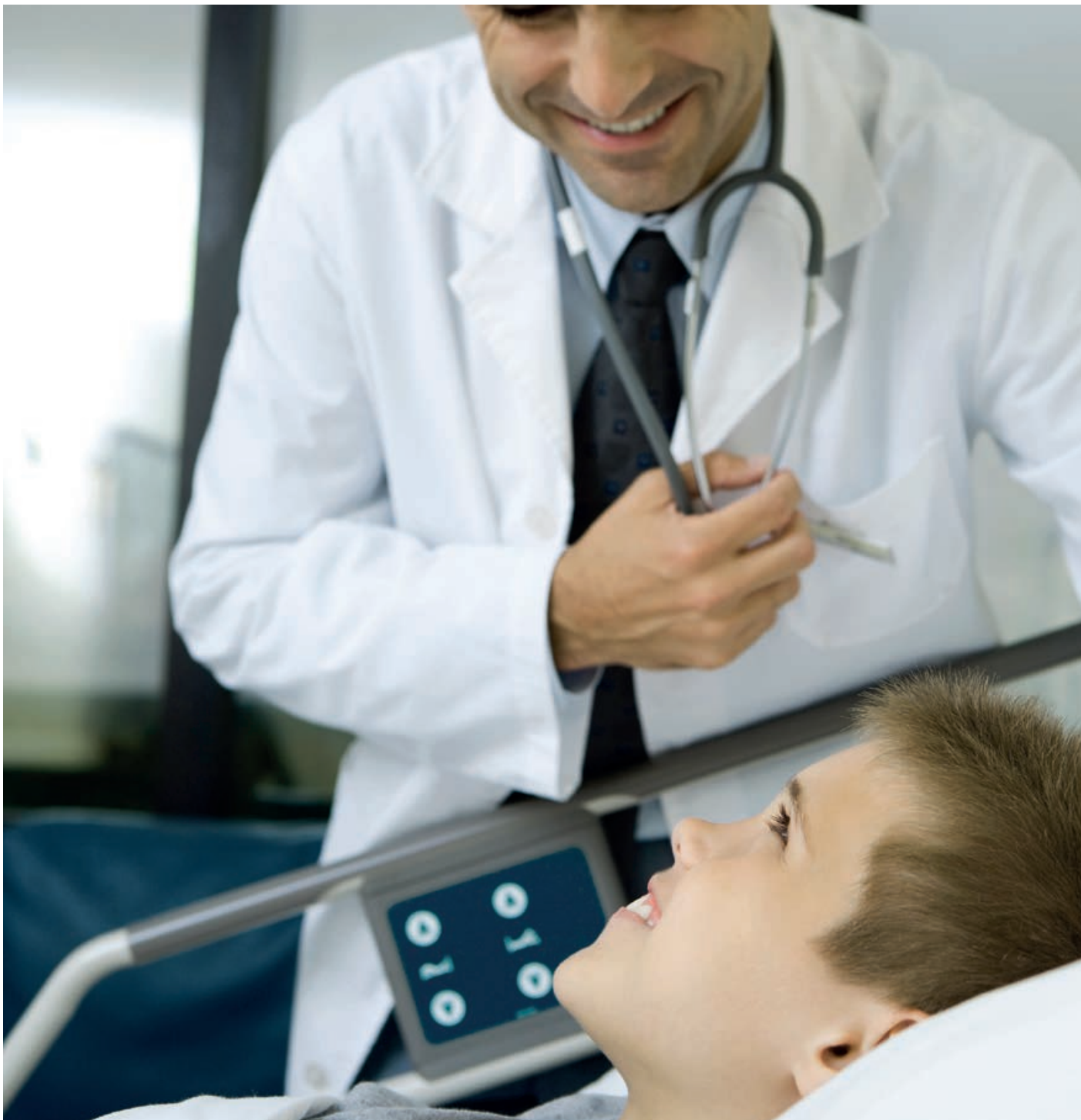


Ø 180 mm
approx. 50,000 lx / 0.5 m

Illumination area

DEFINES THE STANDARD:
BEST LIGHTING.

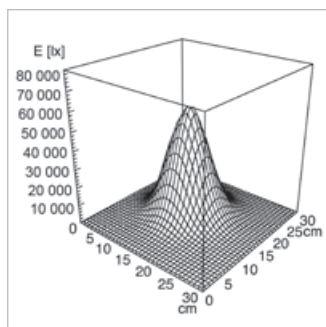
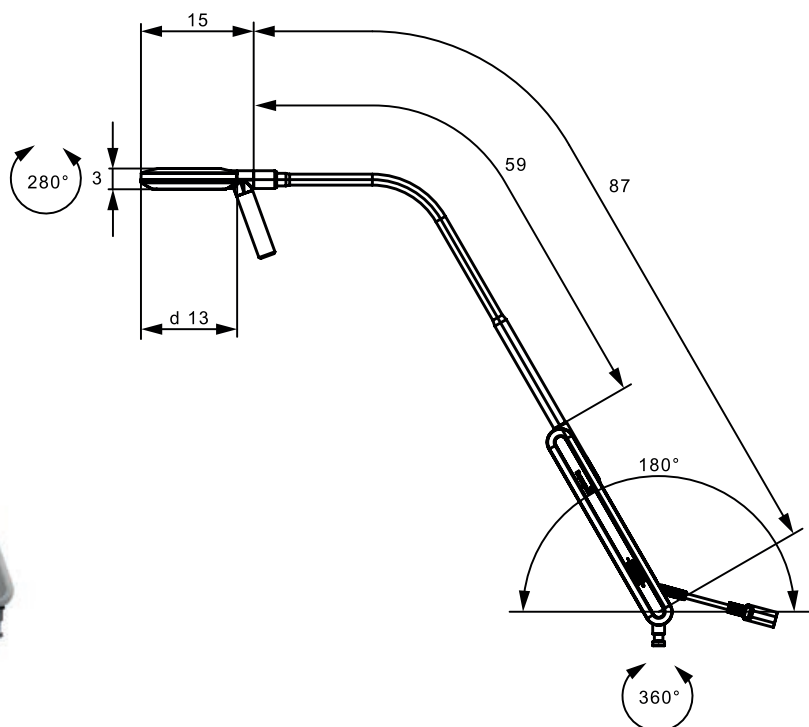




Thanks to the 16 mm pin, the VISIANO 10-1 can be used universally in doctors' surgeries and in the clinical sector. Using the wide range of accessories it can be mounted on a roller stand, on the wall or on a rail. The ergonomic handle and intuitive I/O switch ensure easy handling. The VISIANO 10-1 scores highly in terms of hygiene too, with a smooth surface for easy cleaning.



VISIANO 10-1



VISIANO 10-1

ORDER NO.

VISIANO 10-1 P S10

D15.732.000 - pure white

VISIANO 10-1 compact

- intuitive and ergonomic
- homogeneous, monochrome light field (\varnothing 180 mm, ca. 50,000 lx / 0.5 m)
- universal mounting options
- rotatable luminaire head
- integrated converter
- sealed casing

VISIANO 10-1 technical

Illumination intensity	approx. 50,000 lx / 0.5 m *
Color temperature	4,400 K *
Illumination field 0.5 m	180 mm *
Light color	approx. 4,400 K
Color rendering	CRI > 93
Operation	I/O switch on the arm
Standards	IEC 60601-1

Features

- ergonomic handle
- Luminaire head can be turned 280°

* -10% / +20% tolerance

ACCESSORIES



ROLLER STAND

Material	Steel
Composition	– Tubing: white – Foot: plastic – Casters: plastic double casters, with 5 brakes
Dimensions	1 m, Ø 700 mm
Weight (net)	7.5 kg
for stud Ø	16 mm-W with removal protection with cable suspension device
ORDER NO.	D15.595.000



RAIL MOUNTING

Material	Aluminum
Composition	natural anodized
Wall rail system	25-35 x 8-10 mm
Weight (net)	0.16 kg
for stud Ø	16 mm-W with removal protection
ORDER NO.	D13.269.000



WALL BRACKET

Material	Polyamide GF
Weight (net)	0.14 kg
for stud Ø	16 mm-W with removal protection with cable hole
ORDER NO.	D13.231.000 - pure white



Sydney | Melbourne | Brisbane | Perth

☎ 1300HPAUST
✉ info@hpaust.com
🌐 www.hpaust.com



Derungs Licht AG is a member of the Waldmann Group.

www.waldmann.com