

The materials and information provided via this brochure are distributed internationally, but not all the products or services found on this brochure are necessarily available in your country or area. Please contact local office or agents to make sure of the availability of the relevant products or services.

Mindray Medical Netherlands B.V.
Drs.W.van Royenstraat 8, 3871 AN Hoevelaken, The Netherlands
Voice: (31-33) 254-4911
Fax: (31-33) 253-4280

Mindray Medical Italy S.r.l.
Via Leonardo DA Vinci, 158, 20090 Trezzano Sul Naviglio (MI), Italy
Voice: (39-02) 5737-401
Fax: (39-02) 5523-2018

Mindray Medical España S.L.
Avenida Manoteras 38, Edificio B, Bajo B008. 28050-Madrid Spain
Voice: (34-91) 392-3754
Fax: (34-91) 392-3756

Mindray Medical Germany GmbH
Zwischen den Bächen 4, 64625 Bensheim, Germany
Voice: (49) 6251-17524-0
Fax: (49) 6251-17524-20

Mindray (UK) Limited
3 Percy Road, St Johns Park, Huntingdon, Cambs, PE29 6SZ United Kingdom
Voice: (44) 1480-416-840
Fax: (44) 1480-436-588

Mindray Medical France SARL
Europarc Creteil 1 allée des cerisiers 94000 CRETEIL, France
Voice: (33-1) 4513-9150
Fax: (33-1) 4513-9151

Mindray Medical Sweden AB
Risseleden 136, 174 57 Sundbyberg, Sweden
Voice: (46) 8 555 54 121
Fax: (46) 8 555 54 101

Mindray Medical Rus Co.Ltd
2 Zvenigorodskaya Street, 13, bld 41, 123022 Moscow, Russia
Voice: (7-499) 553-6036
Fax: (7-499) 553-6039

Mindray Medical Colombia S.A.S
Room No.702, Torre UNIKA, Carrera 9 No.77-67, Bogota, Colombia
Voice: (57-1) 3130892 / 3210916

Mindray do Brasil – Comércio e Distribuição de Equipamentos Médicos Ltda.
Rua Tavares Bastos, 329, Perdizes, São Paulo - SP, CEP 05012-020
Voice: (55-11) 3124-8026
Fax: (55-11) 3078-8035

Mindray Medical Mexico S. de R.L. de C.V.
Félix Parra # 175 Colonia. San José Insurgentes Sur Delegación Benito Juárez 03900 México, D. F.
Voice: (52-55) 5661-9450 / (52-55) 5662-6620
Fax: (52-55) 5662-6597

PT.Mindray Medical Indonesia
The East 11th Floor, Unit 08 Jl. Dr. Ide Anak Agung Gde Agung Kav. E 3.2 No.1 Jakarta 12950
Voice: (6221) 2902-7280
Fax: (6221) 2902-7283

Mindray Medical Egypt
Ground Floor -11 El Imam Metwally El Sharawi Street, Sheraton Heliopolis - El Nozha, Cairo, Egypt
Voice: (2) 02 22691047
Fax: (2) 02 22691046

Mindray Medical Australia
ADD: 19 Harker St, Burwood VIC 3125, Australia
Voice: (61-3) 9830 6610
Fax: (61-2) 9550 2841

Mindray Medical Nigeria
ADD: 1004 Estate, Victoria Island, Lagos, Nigeria
Voice: (+234) 7030682053

Mindray Medical India Pvt. Ltd. (Delhi Office)
16th floor, Building No. 9-B, DLF Cyber City, DLF Phase- 3, Gurgaon- 122002, Haryana
Voice: (91-124) 4632-488
Fax: (91-124) 4632499

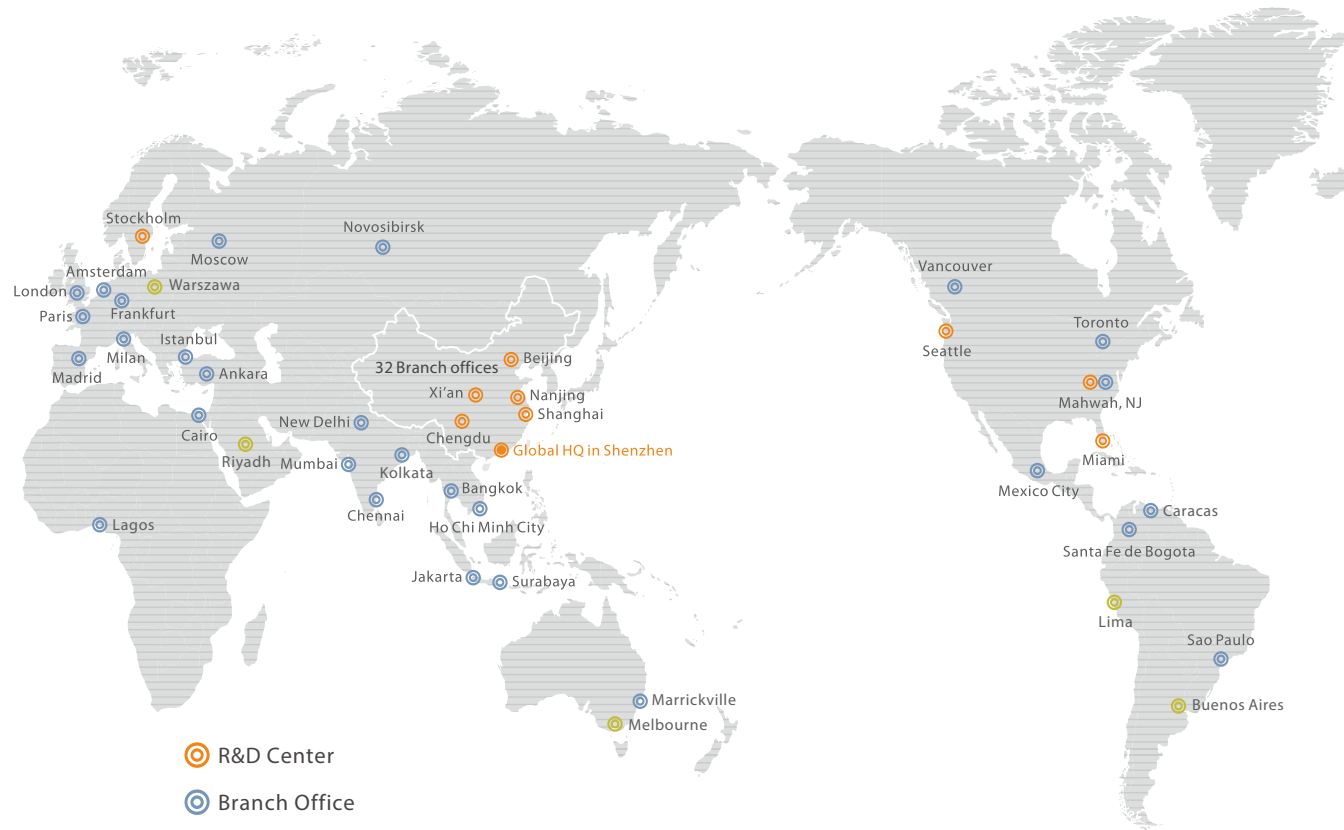
Mindray Medical India Pvt. Ltd. (Mumbai office)
B-404, City Point, Andheri Kuria Road, Andheri East, Mumbai, 400 059, India
Voice: (91-22) 4020-0000
Fax: (91-22) 4020-0011

Mindray Medikal Teknoloji Istanbul Ltd. Sti.
KÖYALTI MEVKİLİ 29 EKİM CAD.N.1 KUYUMÇUKENT 2.NO.PLZ.3.KT. D.1- 9 34520 BAĞÇELİEVLER/YENİBOSNA, İSTANBUL, TÜRKİYE
Voice: (90-212) 482 08 77
Fax: (90-212) 482 08 78

Mindray Medikal Teknoloji Istanbul Ltd. Sti. Branch Office Ankara
TURAN GÜNEŞ BULVARI ALEKSANDER DÜBÇEK CAD. NO:18/A ÇANKAYA/ANKARA, TÜRKİYE
Voice: (90-312) 441 96 92
Fax: (90-312) 441 96 93

Mindray Medical Vietnam Co.,Ltd.
Unit 2, 4th Floor, "B" Building, Broadway Office Park, 102 Nguyen Luong Bang Blvd., Tan Phu Ward, Dist. 7, HCMC, Vietnam
Voice: (84) 8 5413-6970
Fax: (84) 8 5413-6971

Mindray Medical Thailand Limited
1768 Thai summit Tower Room 407, 4th floor, New petchaburee Road, Kwaeng Bangkok, Khet Huai Khwang, Bangkok 10320, Thailand
Voice: (66) 2652-7288
Fax: (66) 2652-7266



Sydney | Melbourne | Brisbane | Perth

1300HPAUST
info@hpaust.com
www.hpaust.com



P/N:ENG-HyPort Series-210285x16P-20180904

MRB016V121



HyPort Series Medical Supply Unit

HyPort Series

With the higher requirement of the healthcare, and continuing focus on the efficient clinical workflow, the latest medical technology is always demanded from the patient and hospital.

Mindray recognized such needs and merged innovative and ergonomic design with the technology into medical supply unit-HyPort series.

Anodic oxidation/Antimicrobial powder coating surface treatment

Dual-brake system for maximum safety

Ergonomic touch screen control platform

Multi-screen information system

Advanced anesthesia machine mounting solution

Electricity gas outlets separated cavity design





HyPort Series



HyPort 3000
Mechanical Pendant



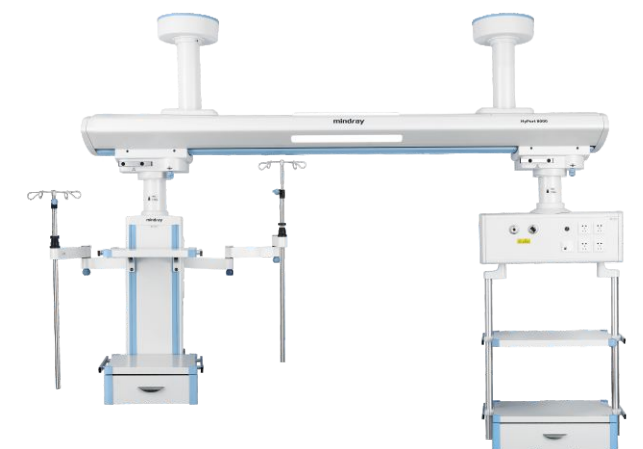
HyPort 6000
Motorized Pendant



HyPort 9000
Vertically Lifting Pendant



HyPort 8000-I
ICU Beam



HyPort 8000-II
ICU Beam



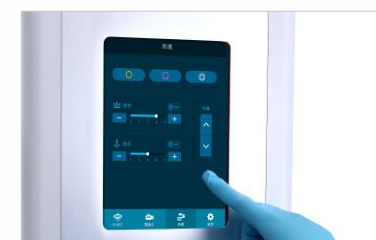
Visual Brake Management

Brake system is the cornerstone for the pendant stability. Besides the standard friction brake, reversed pneumatic or electromagnetic can be chosen as an option for additional safety.

With reversed pneumatic design, compressed air is not needed to activate the brakes, only to release them. Even in the event of air pressure failure, the arms remain securely fixed in position. Thanks to the thrifty use of compressed air, HyPort has further advantages: low noise and long lifetime.

Electromagnetic technology is newly introduced into pendant product, which brings a zero-noise and maintenance-free brake system.

Various control components and visual brake system enable medical team to use the pendant ergonomically and intuitively.



Touch screen control panel

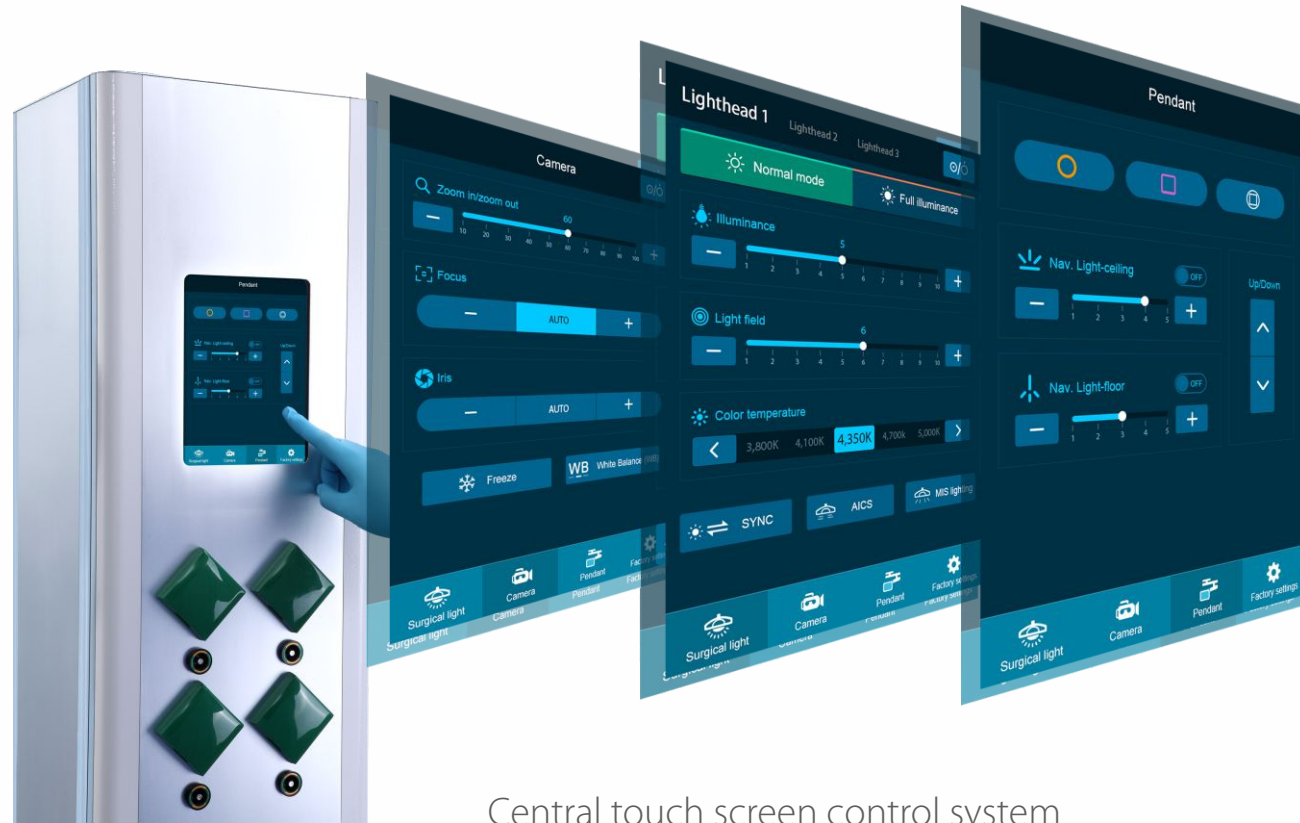


Shelf control handle



Corded control unit

Modular Design



Central touch screen control system



GSS* the most flexible power outlet system

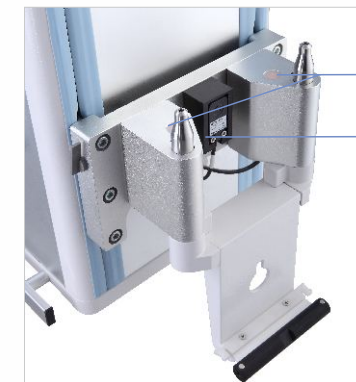
Add, remove or reposition the sockets anywhere, anytime
*Not available for European market



Advanced Solution for Different Application

"All in One" Multi-screen information system

- Integrated information solution for Hybride OR, Catheterization Lab
- "All in one" design for less turbulence towards laminar flow
- Customized solution according to different clinical image requirement
- Easy movement together with pneumatic brake ensuring stability



Magnetic Sensor

Inductance Sensor



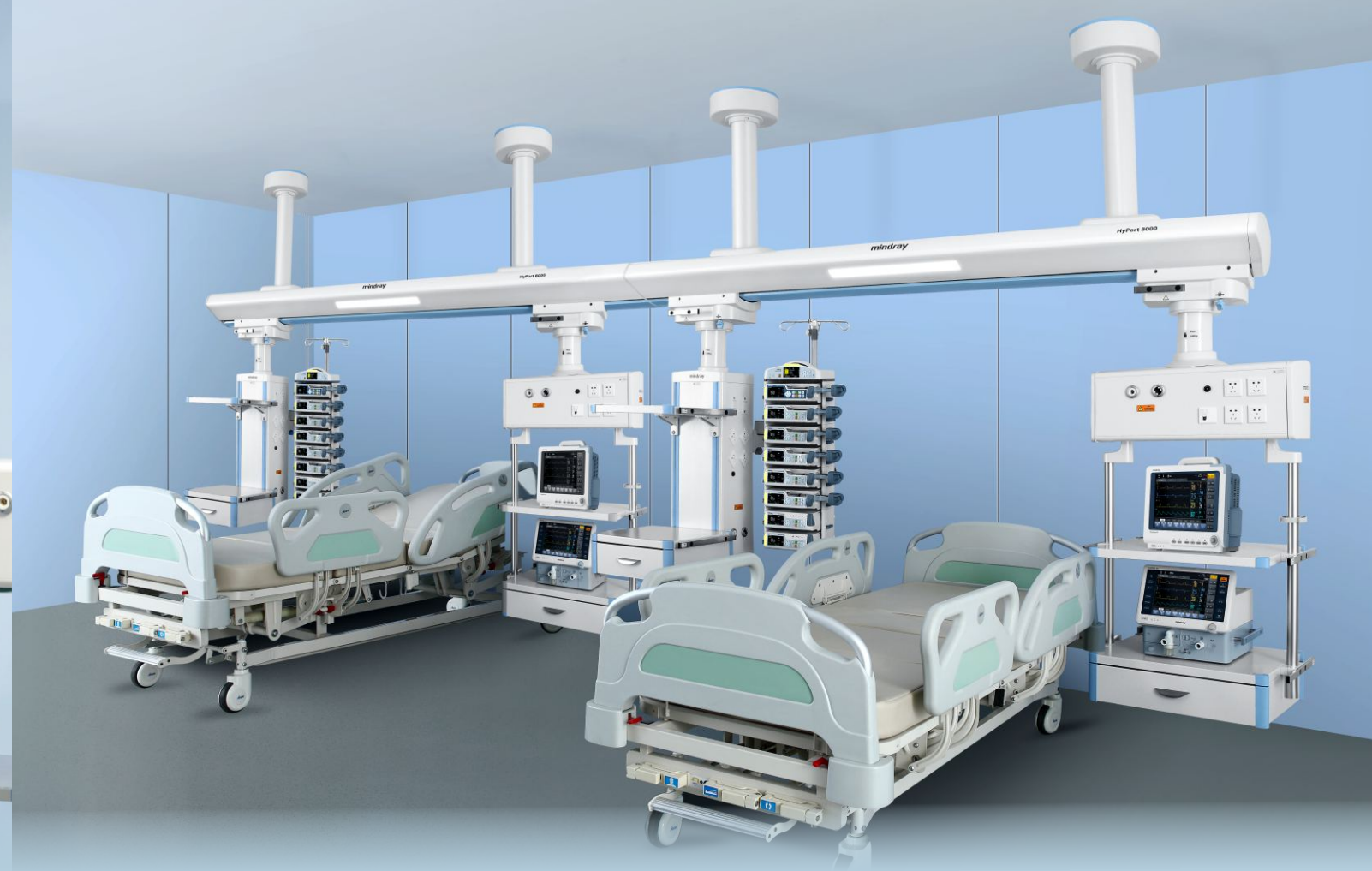
Strong supporter for anesthesia workstation

With an integrated, motorized lifting system, HyPort can lock your anesthesia workstation or endoscopy devices and lift them off the floor. The devices can therefore be conveniently moved into the desired area and securely parked, providing a clean and efficient workflow. The equipment hold with dual position sensor allows quick, precise and safe docking.



Considerate lighting option

- Floor and ceiling lighting for better night care
- Flexible positioned shelf lighting
- Drawer lighting avoiding disturbances



Advanced Solution for Different Application



Patient lifting System

- Increase early mobilization and reduce the risk of falls
- Reduce the risk of bed sores, pneumonia and infections
- 200kg load capacity



HyPort 8000 Beam ICU solution

- Flexible movement of distributions gives more convenience for caregivers
- Dry side & wet side separated for clinical requirement



SoundEar II Noise Display

- Attractive design for use in ICU
- Green = monitoring; Yellow = getting loud; Red = too loud
- Warning level adjustable from 40 to 115 dB (A)
- Data logging option



Transport Infusion System

- Max loading capacity: 15kg
- The diameter of ICU bed installation interface : 20-25mm

More options for different clinical demands



	β Column	γ Column
Cross section dimension	298mm(W)X280mm(D)	298mm(W)X210mm(D)
Column length option	500mm,800mm, 1,000mm/1,250mm/1,500mm	1,000mm, 1,250mm/1,500mm
Surface treatment	Antimicrobial powder coating	Antimicrobial powder coating
GSS power socket	Optional	NA
Touch screen panel	Optional	NA



Distribution head,basic version



Distribution head,smart version

	Surface treatment	Brake control	Configuration	Drawer light
Basic	Antimicrobial powder coating	Control panel in head	No pole, double pole, length: 700/1,200mm	NA
Smart	Anodic oxidation	Handle on shelf	Service component panel (1,000mm)	Optional

Technical data

HyPort 3000

Max loading	Light arm			Heavy arm		
Arm length	β	γ	Head	β	γ	Head
No arm	300Kg	180Kg	120Kg	300Kg	180Kg	120Kg
500mm	300Kg	180Kg	120Kg	300Kg	180Kg	120Kg
750mm	300Kg	180Kg	120Kg	300Kg	180Kg	120Kg
1,000mm	240Kg	180Kg	120Kg	300Kg	180Kg	120Kg
1,250mm	220Kg	180Kg	120Kg	300Kg	180Kg	120Kg
500mm+500mm	240Kg	180Kg	120Kg	300Kg	180Kg	120Kg
750mm+500mm	220Kg	180Kg	120Kg	300Kg	180Kg	120Kg
750mm+750mm	200Kg	180Kg	120Kg	300Kg	180Kg	120Kg
1,000mm+750mm	180Kg	180Kg	120Kg	300Kg	180Kg	120Kg
1,000mm+1,000mm	160Kg	160Kg	120Kg	270Kg	180Kg	120Kg
1,250mm+1,000mm	140Kg	140Kg	120Kg	240Kg	180Kg	120Kg
1,250mm+1,250mm	120Kg	120Kg	120Kg	210Kg	180Kg	120Kg

HyPort 6000

Max loading	Light arm			Heavy arm		
Arm length	β	γ	Head	β	γ	Head
750mm	120Kg	120Kg	120Kg	220Kg	180Kg	120Kg
1,000mm	90Kg	90Kg	90Kg	180Kg	180Kg	120Kg
500mm+750mm	120Kg	120Kg	120Kg	220Kg	180Kg	120Kg
750mm+750mm	120Kg	120Kg	120Kg	220Kg	180Kg	120Kg
1,000mm+750mm	120Kg	120Kg	120Kg	220Kg	180Kg	120Kg
1,000mm+1,000mm	90Kg	90Kg	90Kg	180Kg	180Kg	120Kg
1,250mm+750mm	120Kg	120Kg	120Kg	220Kg	180Kg	120Kg
1,250mm+1,000mm	90Kg	90Kg	90Kg	180Kg	180Kg	120Kg

HyPort 9000

Max loading	Light arm	Heavy arm	Max loading	Light arm	Heavy arm
No arm	300Kg	300Kg	500mm+500mm	/	300Kg
500mm	300Kg	300Kg	750mm+500mm	/	300Kg
750mm	300Kg	300Kg	750mm+750mm	/	300Kg
1,000mm	/	300Kg	1,000mm+750mm	/	300Kg
1,250mm	/	300Kg	1,000mm+1,000mm	/	270Kg

HyPort 8000

	Max loading of suspension tubes	Beam length	Beam width	Beam thickness	Swiveling range of shuttle	Max loading of shuttle
HyPort 8000-I	250kg	2,200mm	560mm	215mm	340°	150kg
HyPort 8000-II		2,500mm 2,800mm 3,100mm 3,500mm				

*Max loading that can be carried on the distribution head or column