

# TouchPoint T7 Mobile Technology Cart Brochure





# “Better Design, Better Care”

The T7 TouchPoint Mobile Technology Cart was designed with the caregivers in mind. Capsa Healthcare applied workspace ergonomics principles to create a product that addresses and streamlines the workflow challenges of a modern healthcare environment.



# AutoFit™ Technology

Capsa Healthcare's T7 point-of-care mobile technology cart offers unprecedented ease of adjustment for each user in a shared work environment, providing one, simple, combined adjustment for the work surface, keyboard support and display. The T7's 20" (50.8 cm) height range ensures comfortable ergonomic accommodation for seated and standing caregivers.



## ADJUSTING HEIGHT

After users enter their height, the cart adjusts to the optimal ergonomic position instantaneously. After the height is entered users can choose between sit or stand position and the cart will adjust automatically.



## HEIGHT PRESETS

In multi-user environment there is an option to store up to six user heights. By simply selecting a height and sit or stand position, the cart will adjust instantaneously.





# Power Track™ Technology

Further exemplifying the T7's sophisticated design is its Power Track™ steering, which enables caregivers to easily maneuver in tight spaces and corridors, even with one-handed operation. And, due to its low center of gravity and centralized mass, the T7 has excellent balance and stability for smoother, safer use. As a result, the T7 offers industry-leading maneuverability and one of the smallest practical footprints on the market.



## **CART NAVIGATION**

Many carts on the market make navigation difficult, especially around corners, but T7 offers an easy solution. When turning, press the bar under the push rail and T7's Power Track™ steering instantly activates.



## Cable Management and Infection Control

The T7 has a completely encased wire management system, which mitigates both clutter and infection control concerns. In any setting, the T7's streamlined design makes cleaning easy and promotes a healing environment.

# Additional Features

## Monitor Arm

Rotates 90 degrees to allow unobstructed view while the cart is pushed and to enable on-screen content sharing with patients. It provides 15 degrees of tilt to help accommodate the use of bifocals.

## Gantry

Serving as a back handle for the cart and as cable management. The gantry raises the monitor providing more work surface.

## Large, Clean Work Surface

Ample work surface space allows for greater utility.

## PC and Laptop Accommodation

The T7 can support all-in-ones, laptops, thin clients and small form factor PCs.

## Charging USB

Charging USB port can be added to the head assembly to fast charge phones, tablets and other peripherals (2.4A).

## Vertical Monitor Adjustment

The monitor can be raised and lowered independent of the work surface, to account for people with varying torso lengths.

## Tap-n-Go Ready

Standard RFID Readers can be secured under the cover utilizing built in mounting feature.

## Keyboard Light

The built-in light illuminates the keyboard enabling low light use.

## Mouse Position

Left and right positions are available for the mouse platform.

## Handle/Palm Rest

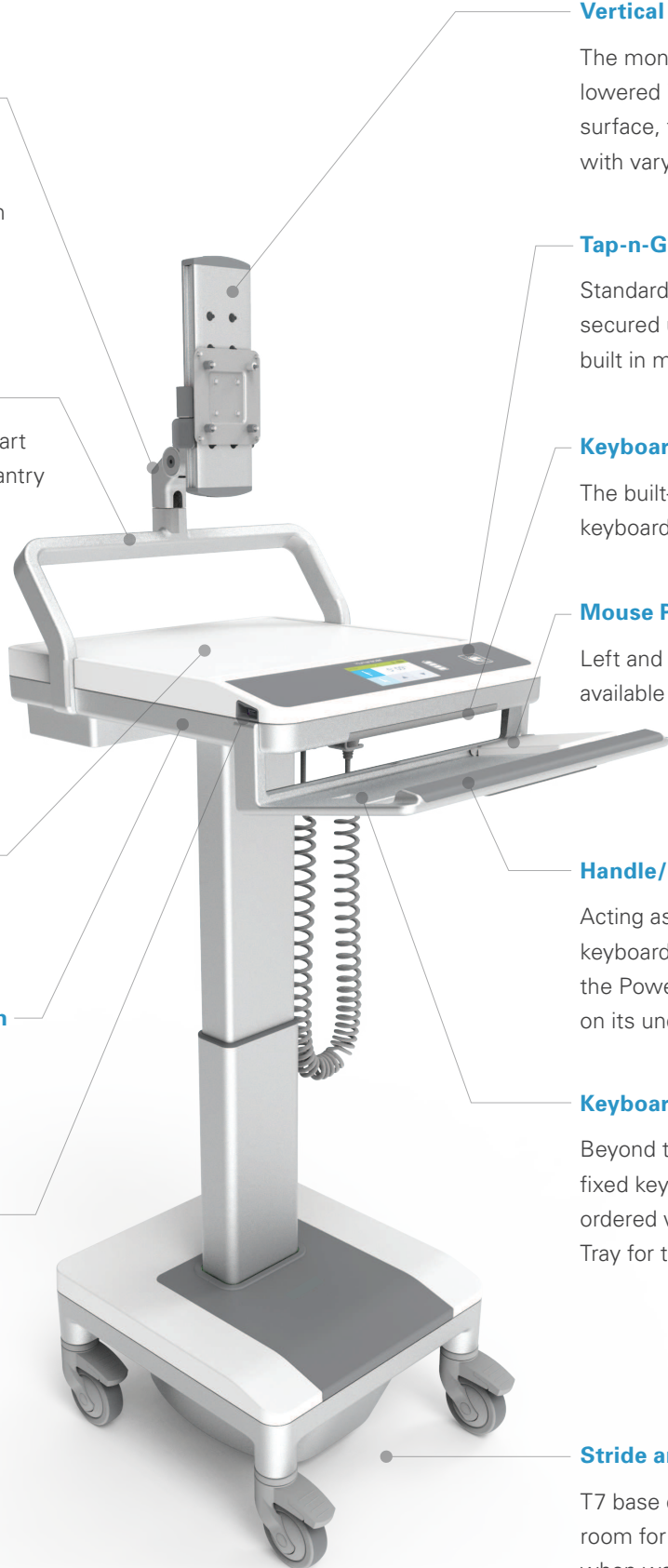
Acting as a palm rest for the keyboard, the handle also features the Power Track™ steering button on its underside.

## Keyboard Options

Beyond the ergonomically designed fixed keyboard platform, T7 can be ordered with an articulating Keyboard Tray for tight patient room spaces.

## Stride and Toe Clearance

T7 base design leaves comfortable room for full strides and toe clearance when walking.





# Cart Configurations



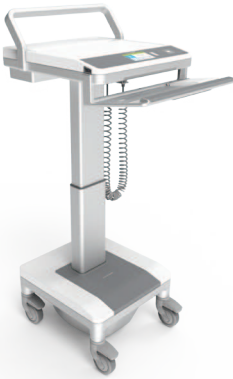
**T7 Powered Cart**

PC, Adjustable Monitor Mount (UFEA), Fixed Keyboard Tray



**T7 Powered Cart**

PC, Fixed Monitor Arm, Fixed Keyboard Tray



**T7 Powered Cart**

Laptop, Fixed Keyboard Tray



**T7 Powered Cart**

PC, Fixed Monitor Arm, Articulating Keyboard Tray



**T7 Non-Powered Cart**

PC, Adjustable Monitor Mount (UFEA), Fixed Keyboard Tray



**T7 Non-Powered Cart**

PC, Fixed Monitor Arm, Fixed Keyboard Tray



**T7 Non-Powered Cart**

Laptop, Fixed Keyboard Tray



**T7 Non-Powered Cart**

PC, Fixed Monitor Arm, Articulating Keyboard Tray

# Technical Data

## AC POWER SYSTEM

### 120VAC version

- Input: 120VAC
- Output: 120VAC pure sine wave, 60Hz
- Continuous output capacity: 150W
- Peak output capacity: 225W

### 230VAC version

- Input: 230VAC
- Output: 230VAC pure sine wave, 50Hz
- Continuous output capacity: 150W
- Peak output capacity: 225W

## BATTERY OPTIONS

- Sealed Lead Acid (SLA)
  - 480 W (35 Amp Hour), 12 V output
- Lithium Iron Phosphate
  - 45 amp hour
  - 12.8 V output
  - 2,000 cycles at 80% depth of discharge (DOD)
  - 2½ hours recharge time
  - Limited 5-year warranty

## BATTERY LEVEL INDICATOR

- Indicates charging status
- Battery level

## RECOMMENDED HEIGHT ADJUSTMENT OPERATION

Do not operate the height adjustment continuously for more than 2 minutes. After 2 minutes of continuous operation, 18 minutes of rest time should be allowed to the system.

## MONITOR WEIGHT

The T7 can accommodate max. 2 monitors weighing up to 26 lbs (11.6 kg) together.

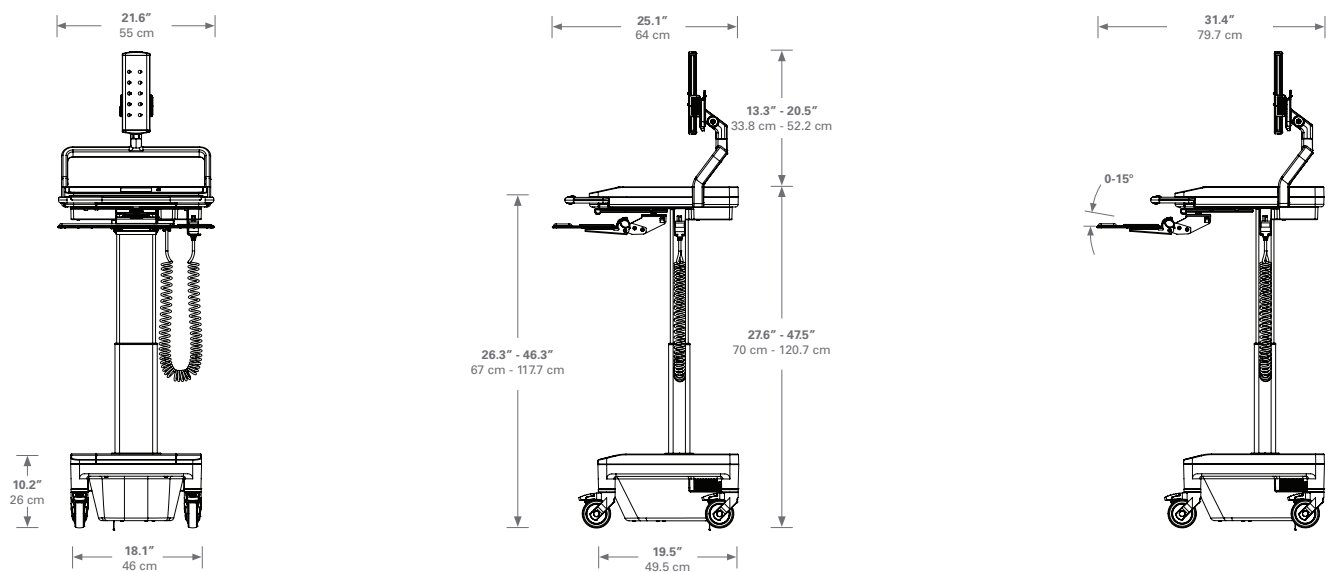
## COMPUTER DIMENSIONS

The T7 can accommodate a computer up to (L x W x H) 17.35" x 12.3" x 2.25" (440 mm x 312.5 mm x 57 mm) and has a 16.8" (426 mm) wide opening for a laptop screen.

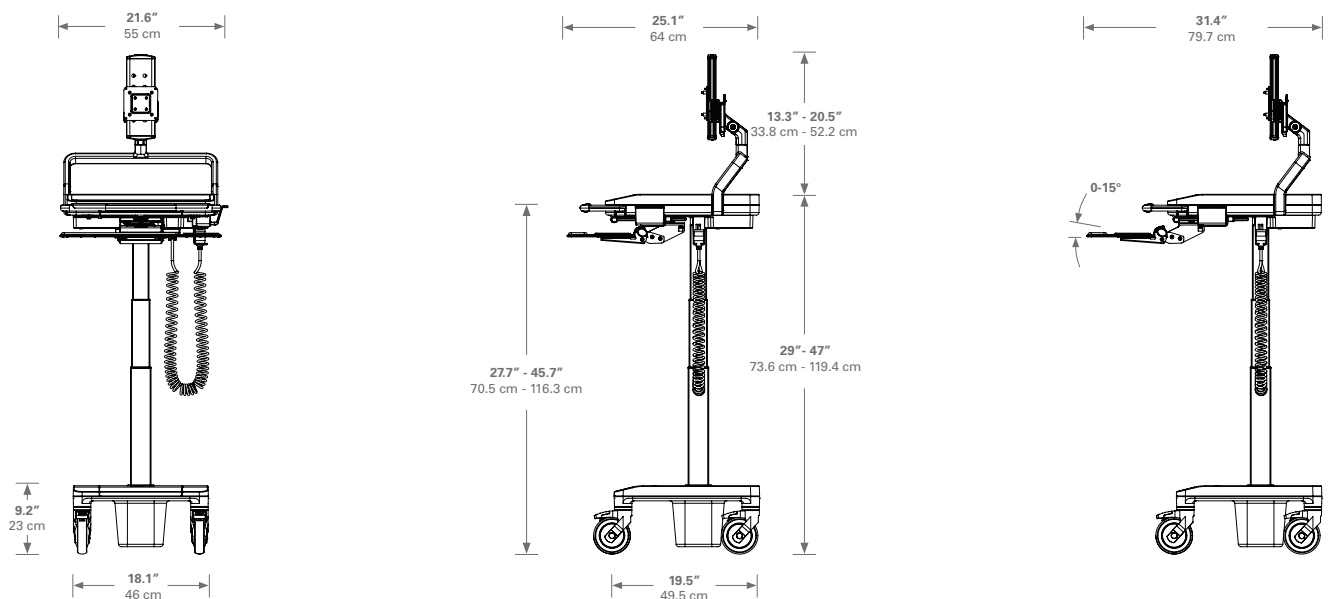
# Height Adjustment Range and Maximum Dimensions

The dimensions below represent the maximum dimensions of the T7 Powered and Non-Powered cart. For configurations specific dimensions please read the TouchPoint T7 User Manual.

## T7 POWERED CART | PC, UFEA, Articulating Keyboard Tray






## T7 NON-POWERED CART | PC, UFEA, Articulating Keyboard Tray



# Accessory Options

The T7 accessories line was designed to support caregivers' daily workflow. Each accessory is designed to make regularly used items quickly and easily accessible.

		
<b>T7-SP-CNTR</b> Sharps Container	<b>T7-U-BSKT</b> Utility Basket	<b>T7-P-SHLF</b> Printer Shelf
		
<b>T7-SC-BKT</b> Universal Scanner Bracket	<b>T7-G-B-HLD</b> Glove Box Holder	<b>T7-S-UT-DR</b> Standard Utility Drawer
		
<b>T7-L-UT-DR</b> Locking Utility Drawer	<b>T7-CPU-HLD</b> T7 CPU Holder	<b>T7-RAR</b> Rear Accessory Rail
		
<b>T7-CB</b> T7 Cross Bar for 2 monitors	<b>TPV-19/TPV-27</b> VESA Accessory Rail Mount with 19" or 27"	<b>T7-AR-SC-MNT</b> T7 Accessory Rail Scanner Mount
		
<b>T7-C-SC-BK</b> T7 Code Scanner Bracket	<b>HCVESA1X2</b> 3.9" x 7.9" (100 mm x 200 mm) VESA Plate	<b>HCVESA2X2</b> 7.9" x 7.9" (200 mm x 200 mm) VESA Plate
		
<b>HCVESA2X4</b> 7.9" x 15.8" (200 mm x 400 mm) VESA Plate	<b>HCVESADD</b> Drop Down VESA Plate	<b>T7-CAM-MNT</b> T7 Camera Mount



# Storage Drawer Options

The T7 cart can be equipped with up to 5 drawers for easy use and storage. These drawers offer a range of functionality—from single drawers with lock and key security, to 5 individual drawers, each equipped with a digital lock.

		
<p><b>T7-ST-DRW-3</b> Front mounted single drawer with no lock</p>	<p><b>T7-ST-DRW-2</b> Front mounted three drawers with no lock</p>	<p><b>T7-ST-DRW-11</b> Front mounted single drawer with key lock</p>
		
<p><b>T7-ST-DRW-4</b> Front mounted single drawer with electronic keypad lock</p>	<p><b>T7-ST-DRW-9</b> Front mounted single drawer with electronic keypad lock</p>	<p><b>T7-ST-DRW-1</b> Front mounted single drawer with electronic keypad lock</p>
		
<p><b>T7-ST-DRW-5</b> Front mounted two drawers with electronic keypad lock</p>	<p><b>T7-ST-DRW-8</b> Front mounted two drawers with electronic keypad lock</p>	<p><b>T7-ST-DRW-6</b> Front mounted two drawers with electronic keypad lock</p>
		
<p><b>T7-ST-DRW-10</b> Front mounted five drawers with electronic keypad lock</p>	<p><b>T7-ST-DRW-7</b> Front mounted five drawers with electronic keypad lock</p>	<p><b>T7-ST-DRW-12</b> Rear mounted single drawer with electronic keypad lock</p>

# MedLink™ Ecosystem

The T7 Powered cart can be equipped with a Capsa Healthcare's MedLink™ medication storage system. MedLink™ is specifically designed to reduce human error, keep patients safe, and create a closed-loop medication system.

## IMPROVING PATIENT SAFETY

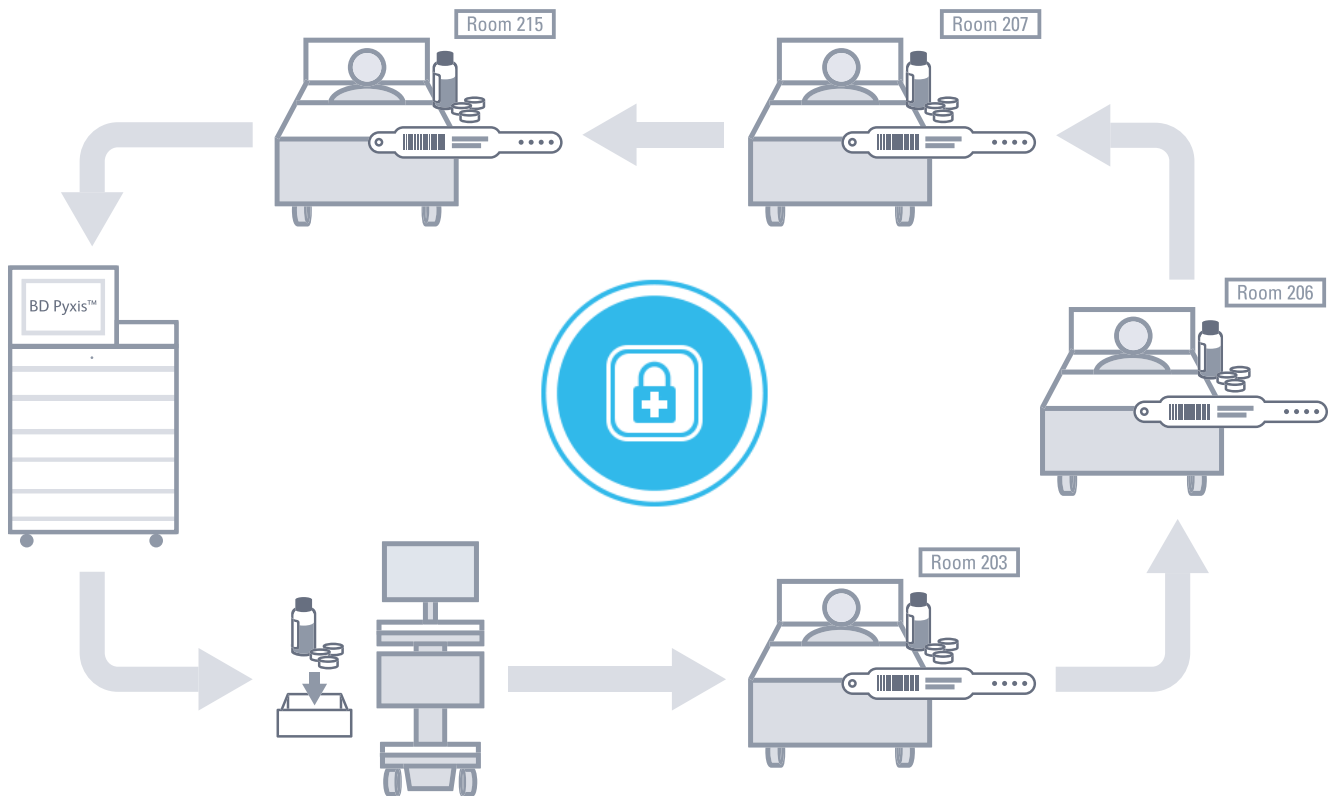
MedLink™ creates a closed-loop medication delivery system. Each drawer is electronically labeled in the MedLink™ system and assigned to a specific patient. The patient specific drawers are loaded with medication at the pharmacy, ADC, or nursing station. When medication needs to be administered by scanning patient's wristband the assigned drawer opens and the medication, specific to the scanned patient, will be accessible.

## INCREASING ACCOUNTABILITY

Every event is recorded—logins, bar code scans, overrides and drawer opening/closing—introducing a new level of accountability and visibility into the medication workflow.

## STREAMLINING WORKFLOWS

MedLink™ offers significant efficiency gains for any healthcare organization. It streamlines the medication transportation workflow and reduces medication delivery errors. MedLink™'s intelligent automation optimizes medication administration, so caregivers can focus on what truly matters—patient care.







Certified ISO  
27001:2013



Certified ISO  
9001:2015



Sydney | Melbourne | Brisbane | Perth

1300HPAUST  
info@hpaust.com  
www.hpaust.com



Form C-778

©2022 Capsa Healthcare

CAB002V123