

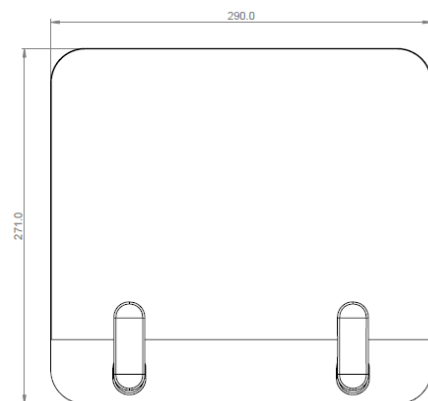
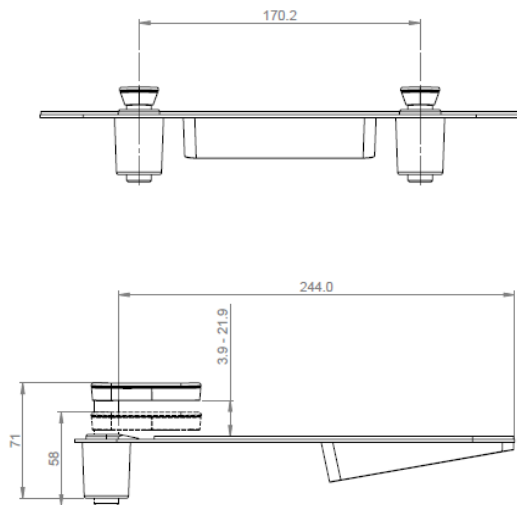
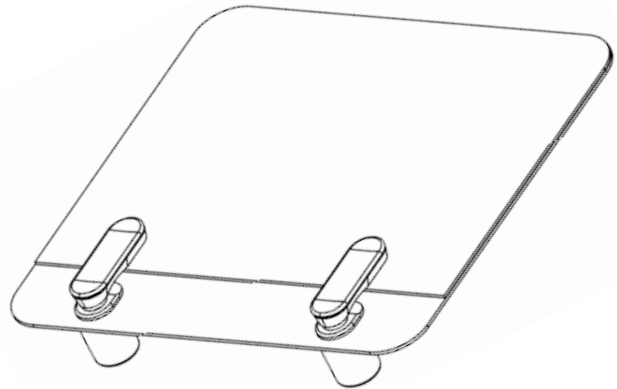
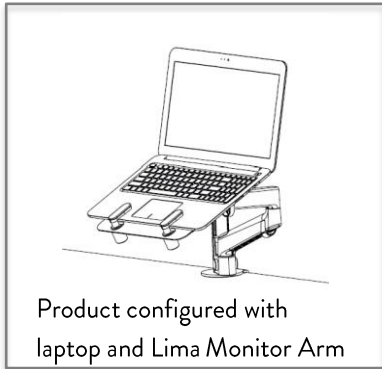


PRODUCT NAME: Lima Laptop Mount

PRODUCT CODE: LAP/004

Doc Rev 3.

26.04.21 CS



*Note dimensions are in mm

KEY FEATURES

- Integrates with Lima monitor arms.
- Accommodates laptops up to 16" screen size.
- Attaches directly to the 100mm VESA plate of monitor arm.
- Laptops are held securely to the mount's anti-slide surface by two adjustable ratcheting feet.
- Available in silver, white and black.

Max laptop load	2.8kg (6.2lb)
Recycled content	9.8%
Total product recyclable	79.4%
Product Packaging	100% plastic-free

LOGISTICAL

Box contains	Laptop mount, instructions
Product net weight	1.6kg
Box dims (HxWxD)	72 x 303 x 294 mm
Box gross weight	1.7 kg
Master carton quantity	10 pcs
Master carton dims (HxWxD)	310 x 610 x 350 mm
Master weight	17.6 kg
Pallet quantity	12 cartons
Pallet dims (HxWxD)	1241 x 780 x 1080mm
Country of origin	China

ORDERING INFORMATION

<u>Product Description</u>	<u>Product Code</u>	<u>Colour</u>
Lima Laptop Mount	LAP/004/S	Silver
Lima Laptop Mount	LAP/004/W	White
Lima Laptop Mount	LAP/004/B	Black

WARRANTY

Warranty Term	12 years
----------------------	----------

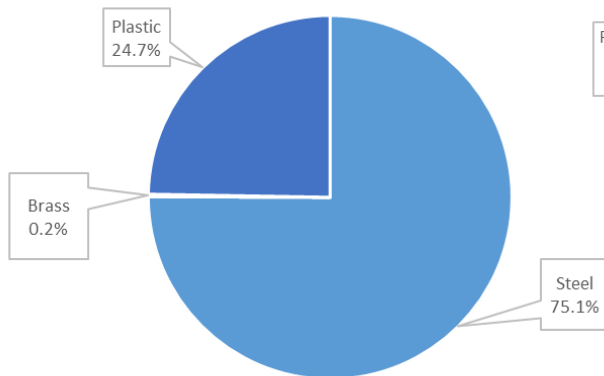
ENVIRONMENTAL

Material Make-up			Total Recycled Content	Breakdown of Recycled Content		Total Recyclable	
Overall Product			Overall Product	Overall Product		Overall Product	
Material type	Total Material type weight (g)	Percentage of Total Product Weight (%)	Material-Type Recycled Content (%)	Percentage PIR of total weight (%)	Percentage PCR of total weight (%)	Total Product Recyclable (g)	Total Product Recyclable (%)
Steel	1205.6	75.1%	9.8%	1.7%	8.1%	1205.6	75.1%
Brass	3.5	0.2%	0.0%	0.0%	0.0%	0.0	0.0%
Plastic	397.2	24.7%	0.0%	0.0%	0.0%	69.7	4.3%
Total	1606.3	100.0%	9.8%	1.7%	8.1%	1275.3	79.4%

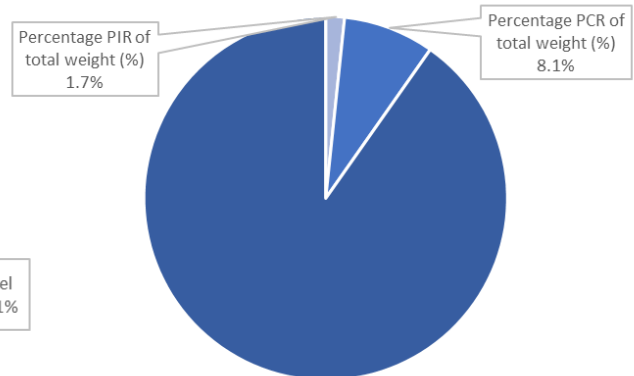
Due to calculation rounding there may be some small variations in displayed percentage totals.

PIR = Post Industrial Recycled
PCR = Post Consumer Recycled

Total Product Weight (%)



Total Product Recycled Content (%)



CLEANING, STORAGE & MAINTENANCE

Routine servicing	Periodic inspection
Service components	Available to order
Cleaning & Maintenance	Damp cloth, no abrasives, no solvents to be used on the cosmetic surfaces
Handling & Storage	Do not drop or expose to moisture

While every effort is made to ensure the accuracy of our technical information, Colebrook Bosson Saunders (Products) Ltd accept no liability for the accuracy of the information contained in this document and reserve the right to modify the specifications or data contained herein without prior notification.