

PRODUCT DATASHEET

Patient Tablet Arm

PTA-45 and PTA-60 long-reach tablet arms for patient use to meet Patient Engagement objectives.



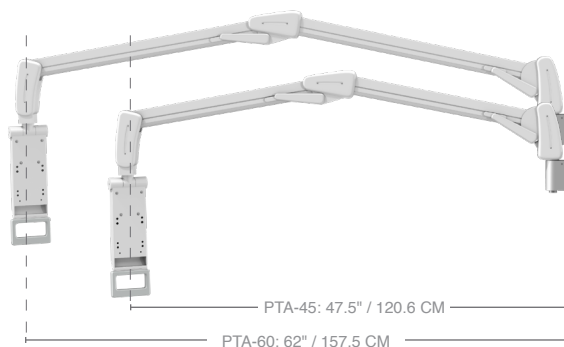
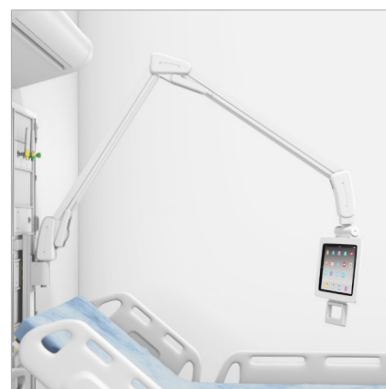
GENERAL FEATURES

- Long reach allow easy patient access to tablet while in bed or sitting
- Pivot at channel plus swivel and tilt adjustments for optimizing tablet viewing angle
- Durable aluminum construction
- Available in two lengths:
PTA-45: 45" / 110 cm, PTA-60: 60" / 150 cm

SPECIFICATIONS

- Rear pivot to mid-point of arm:
PTA-45: 23" / 58.4 cm, PTA-60: 31" / 78.7 cm
- Mid-point to tablet mounting mid-point:
PTA-45: 21" / 53.3 cm, PTA-60: 28.5" / 72.4 cm
- Tablet mounting plate (vertical span): 9" / 29.9 cm
- Maximum reach (from wall surface to tablet mounting mid-point):
PTA-45: 47.5" / 120.6 cm, PTA-60: 62" / 157.5 cm
- Minimum reach: PTA-45: 18" / 45.7 cm, PTA-60: 20" / 50.8 cm
- Tablet swivel: +/- 320 degrees
- Tablet tilt: +/- 35 degrees
- Pivot (at Channel Slide): +/- 90 degrees
- Load range:
PTA-45: 2.2 to 4 lb / 1.0 to 1.8 kg, PTA-60: 2.6 to 15.4 lb / 1.2 to 7.0 kg
- Device interface: 75mm VESA (through-hole)
- Minimum Pivot Block Installation Height: 63" / 160 cm

Channel/Headwall interface sold separately. Customer is responsible for determining suitability of channel anchorage/headwall interface for the arm/application. Tablet/Enclosure shown for example only - not included.



Perth Unit 2, 61 Prosperity Ave Wangara WA 6065
Sydney Unit 4, 6-8 Byfield St Macquarie Park NSW 2113
Melbourne Unit 15, 484 Graham St Port Melbourne VIC 3027
1300HPAUST | info@hpaust.com www.hpaust.com

GCTX
Mounting Solutions